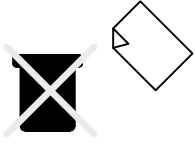


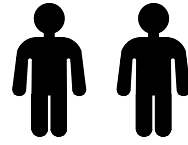
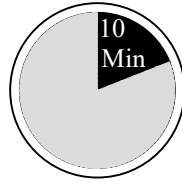
# HINTS & TIPS



# Assembly Instruction

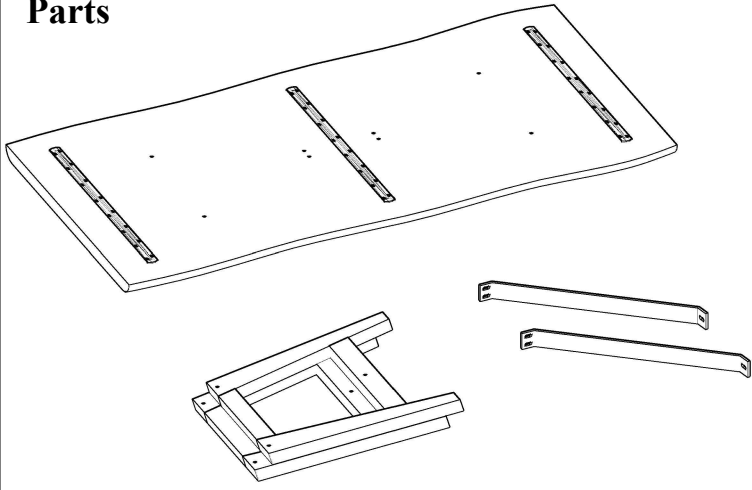


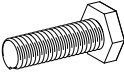
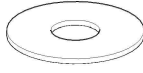
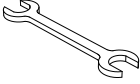
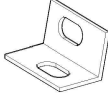
Please retain this assembly instruction for future use.



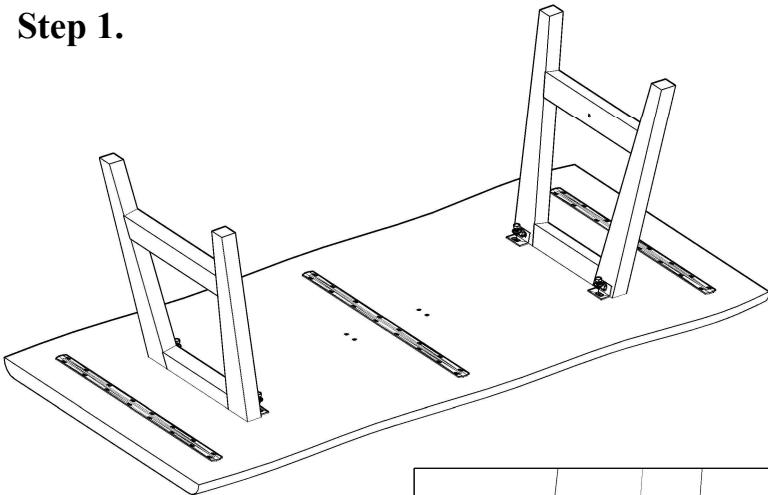
This assembly requires two people

## Parts

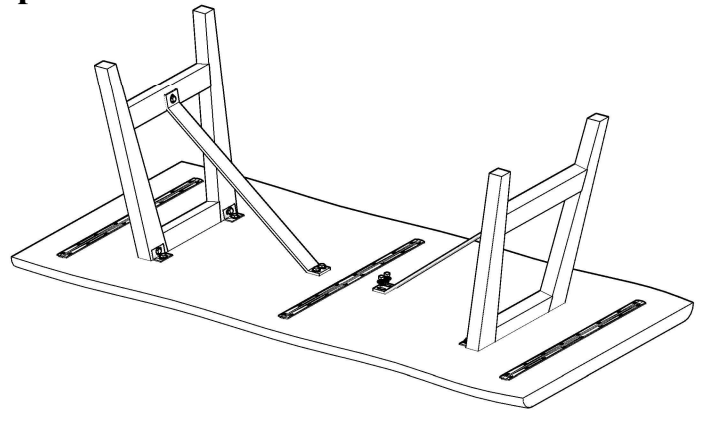


SKU#	Description	Qty
1	 Bolt	14
2	 Flat Washer	14
3	 Spanner	01
4	 L-Clip	04

## Step 1.



## Step 2.



## Finish

