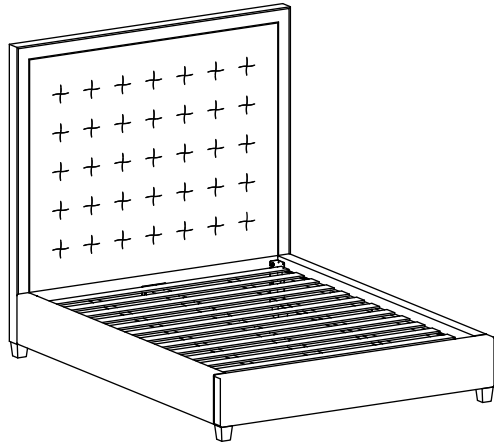


# MANCHESTER BED

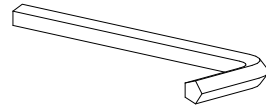
## FULL HEADBOARD/FOOTBOARD/RAILS/SLATS



## ASSEMBLY INSTRUCTION

**A**

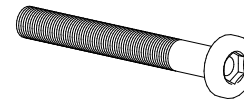
1 pcs



Allen Key

**B**

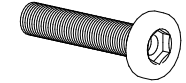
6 pcs



Headboard Bolt M8 x 60 mm

**C**

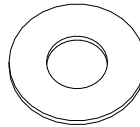
10 pcs



Footboard/Middle Bar Bolt M8 x 40 mm

**D**

16 pcs



Flat Washer

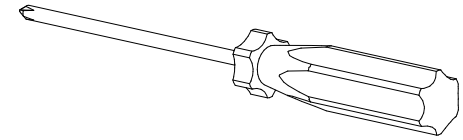
**E**

4 pcs



Screw

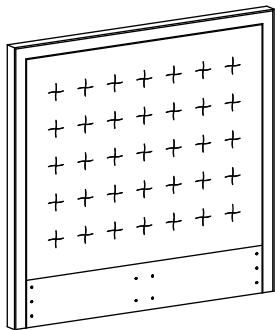
**F**



Screw Driver ( not include )

**G**

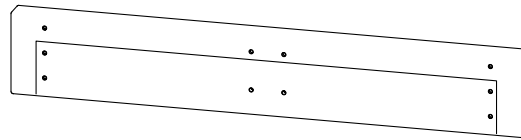
1 pcs



Headboard

**H**

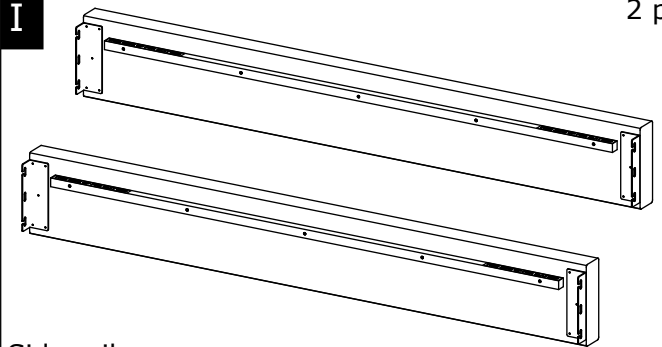
1 pcs



Footboard

**I**

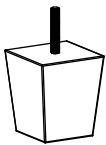
2 pcs



Side rails

**K**

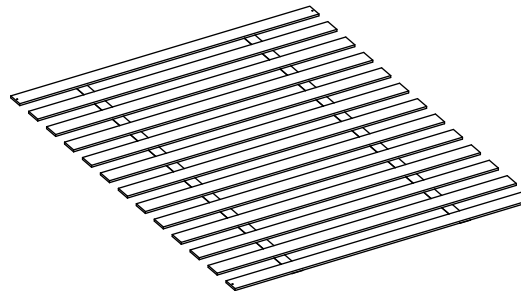
4 pcs



Legs

**L**

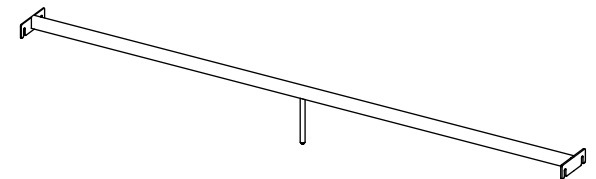
1 pcs



Slats

**M**

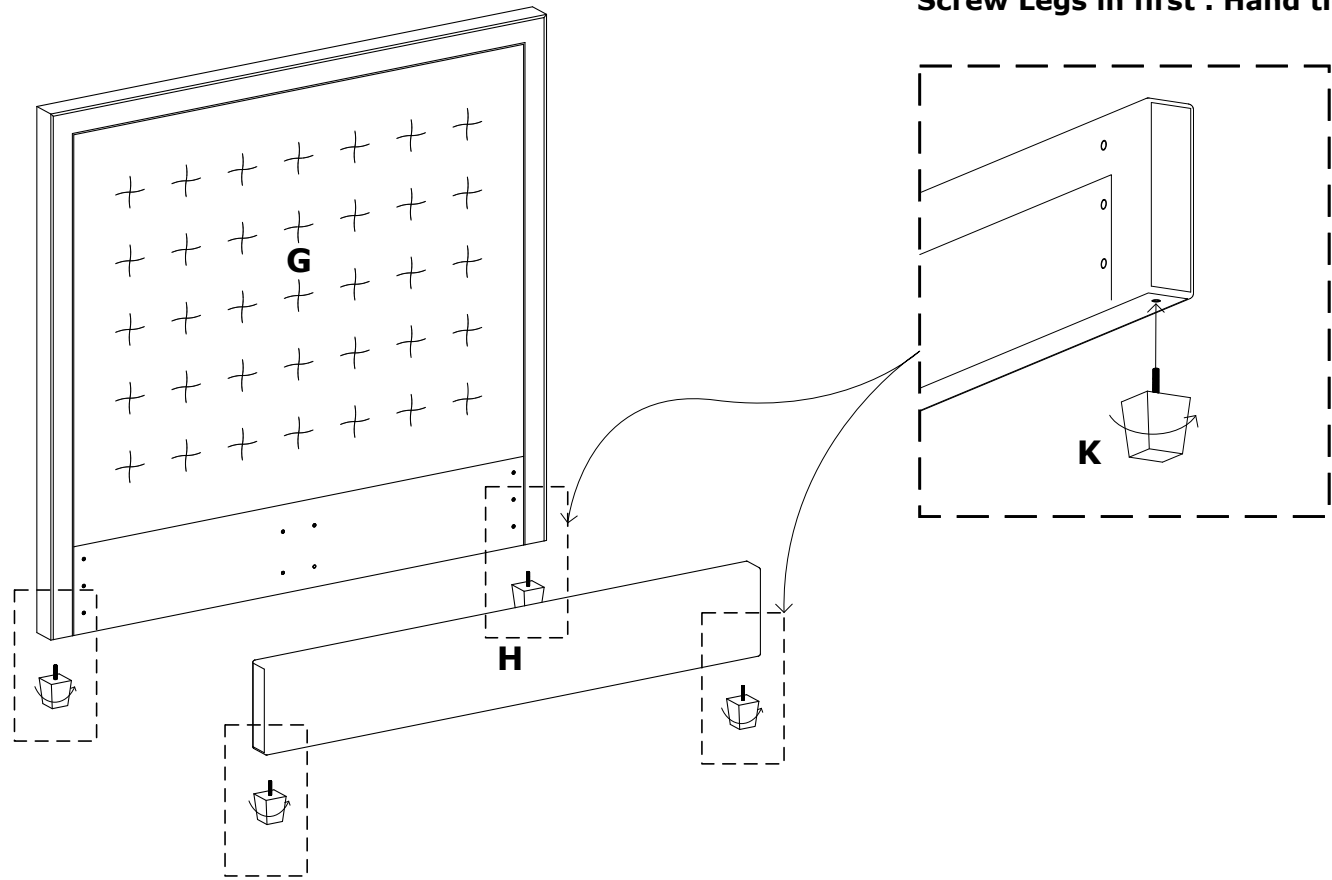
1 pcs



Middle Bar



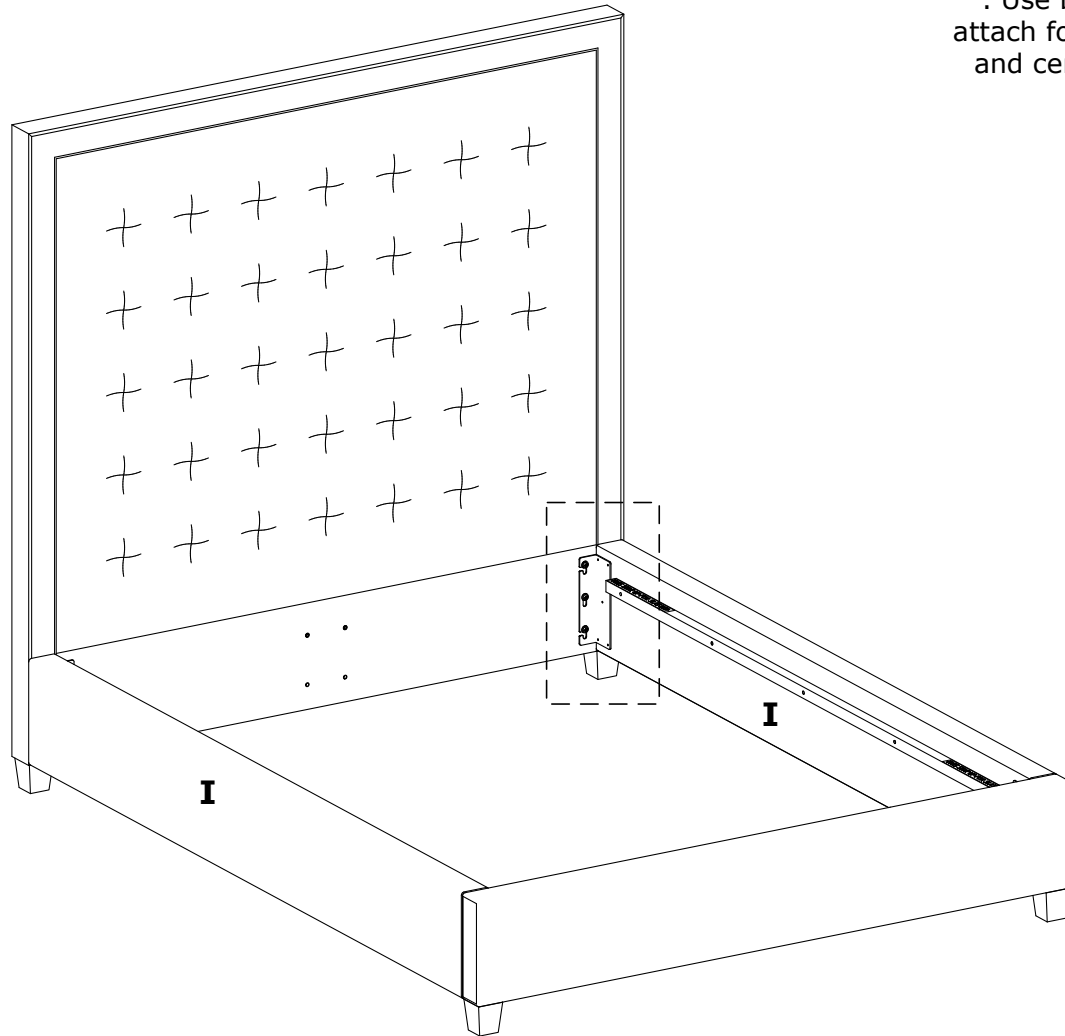
**STEP 1**



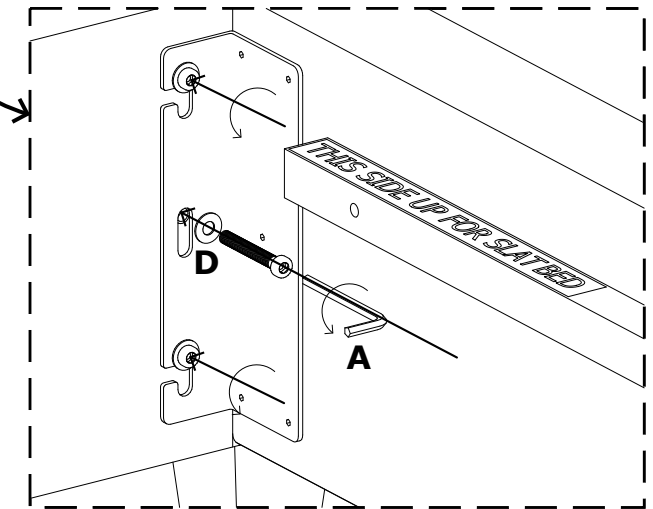
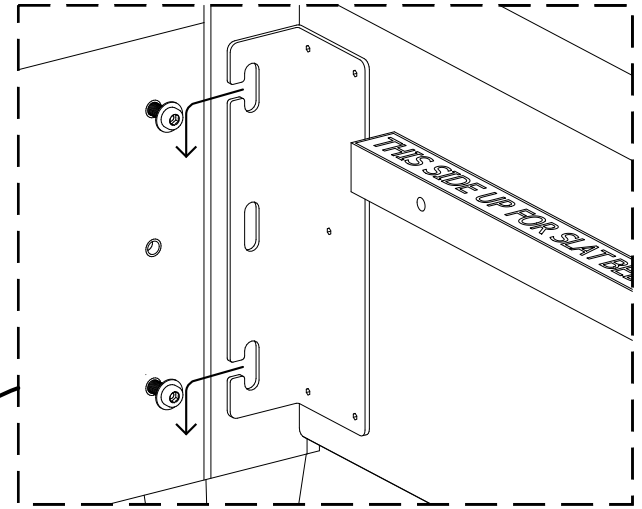
**Screw Legs in first . Hand tighten**

## STEP 2

Note : Do not fully tighten all bolts at this stage

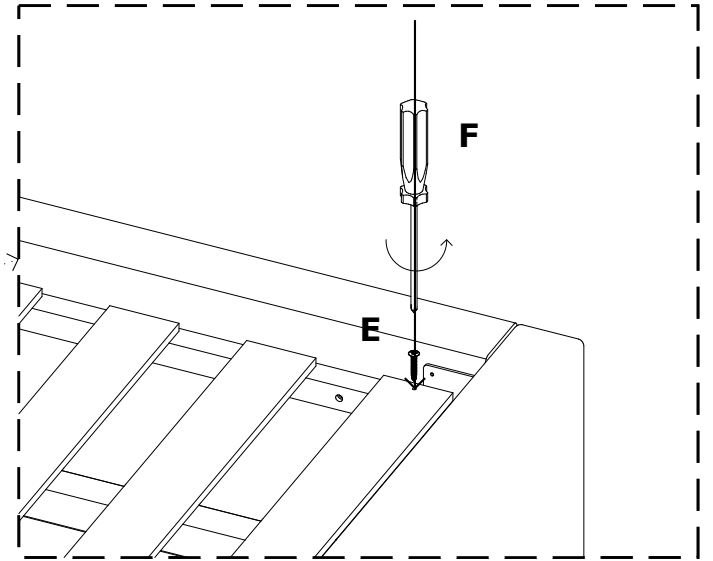
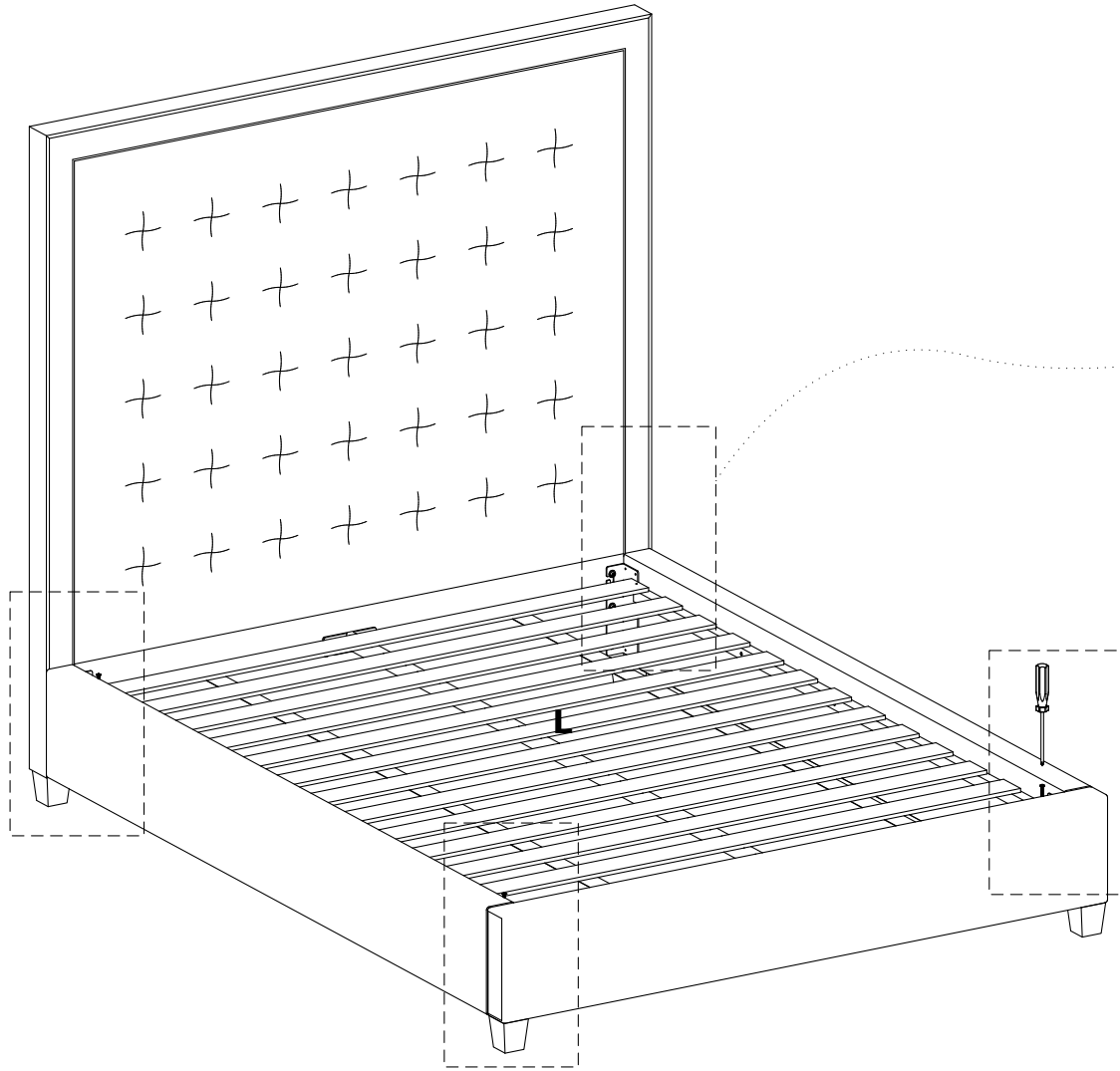


- . Use bolt **B** to attach headboard
- . Use bolt **C** to attach footboard and central rail





**STEP 4**



**Note : Screw in top slat and pull down rest of slats and screw in the bottom slat**