

COOPER BENCH

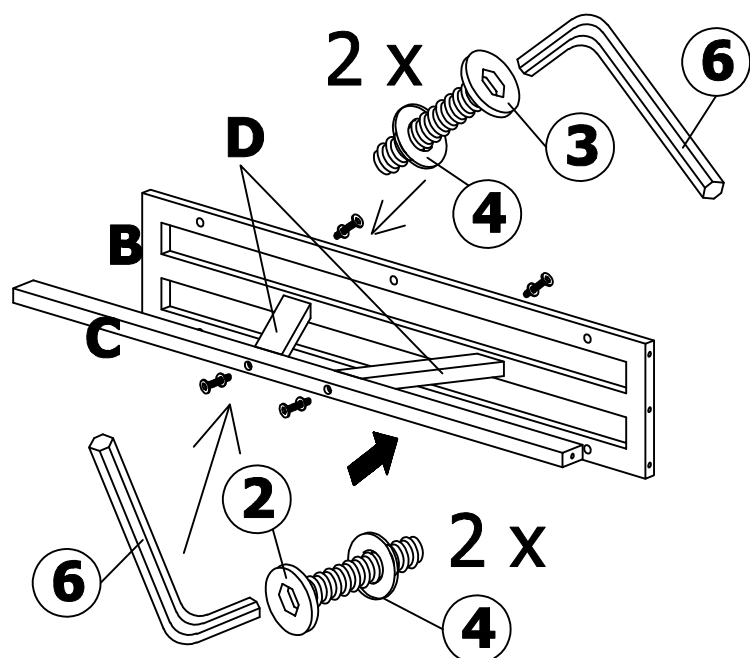
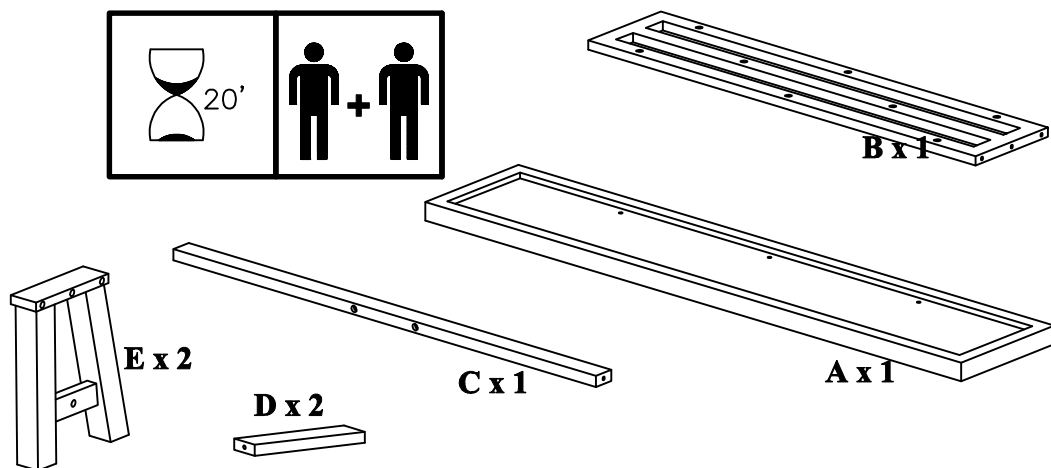
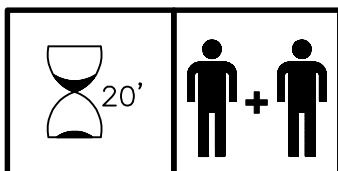
ASSEMBLY INSTRUCTIONS

HARDWARE FOR WOODEN

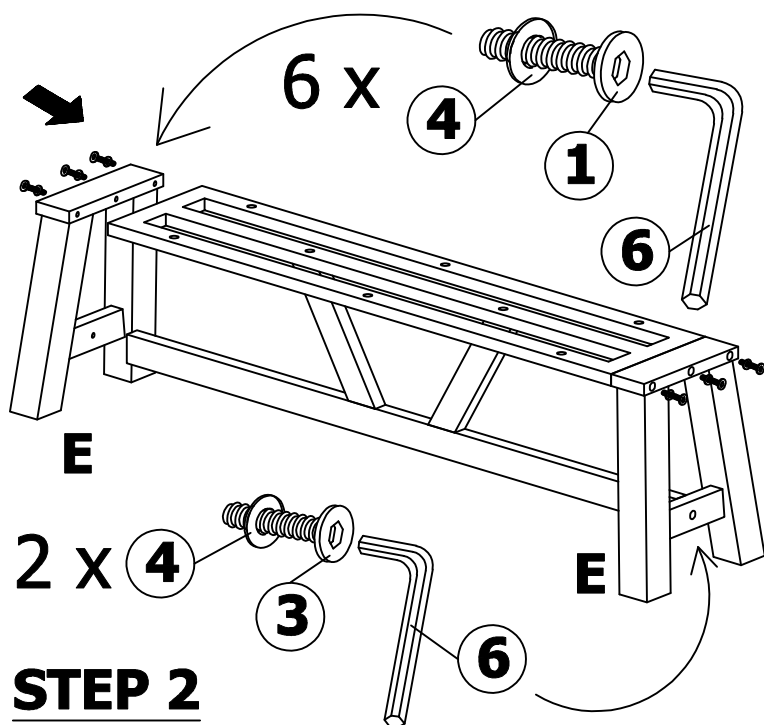
| No. | Hardware | Q.ty |
|-----|----------|------|
| ① | M8x70 | 06 |
| ② | M8x60 | 02 |
| ③ | M8x35 | 04 |
| ④ | M8xØ16 | 12 |
| ⑤ | Ø20x10 | 02 |
| ⑥ | K4 | 01 |

HARDWARE FOR CONCRETE

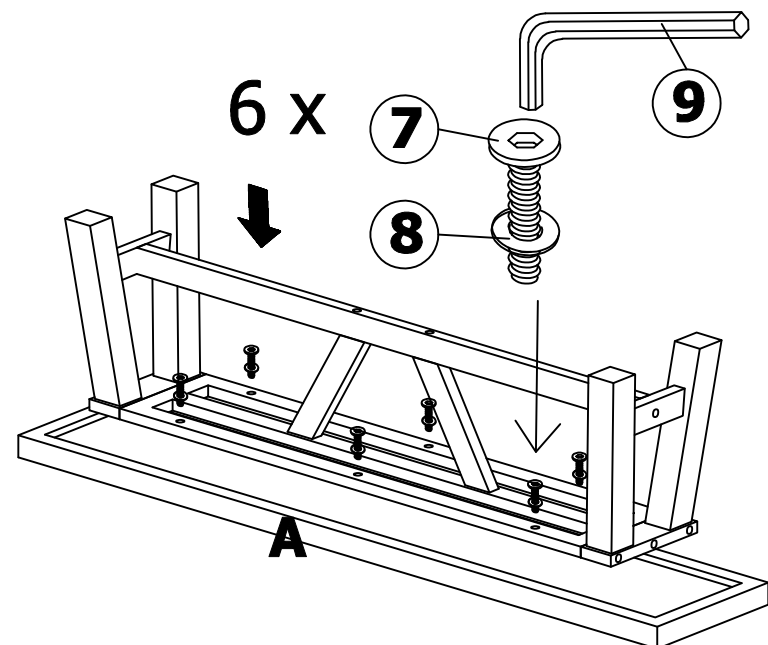
| No. | Hardware | Q.ty |
|-----|----------|------|
| ⑦ | M6x40 | 06 |
| ⑧ | M6xØ19 | 06 |
| ⑨ | K4 | 01 |



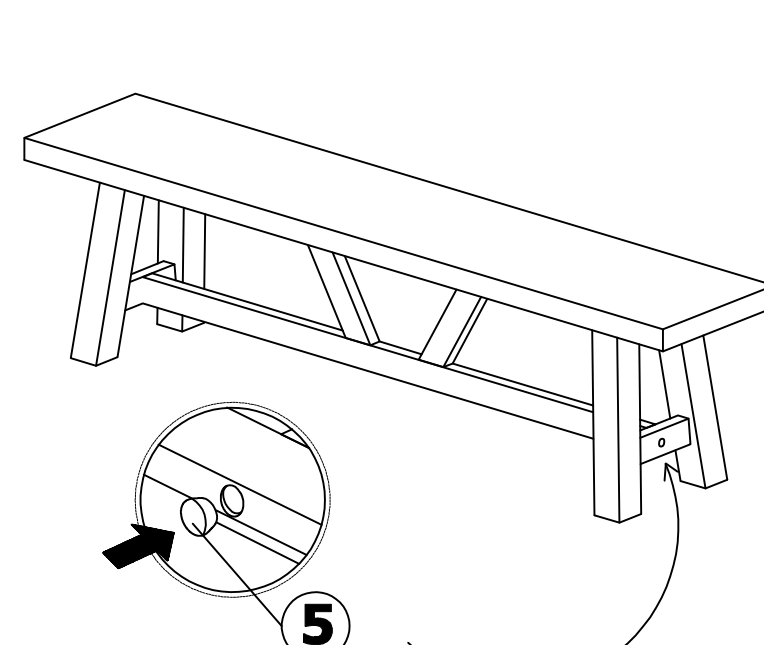
STEP 1



STEP 2



STEP 3



FINISH