










ASSEMBLY INSTRUCTION

ST.MICHEL BENCH

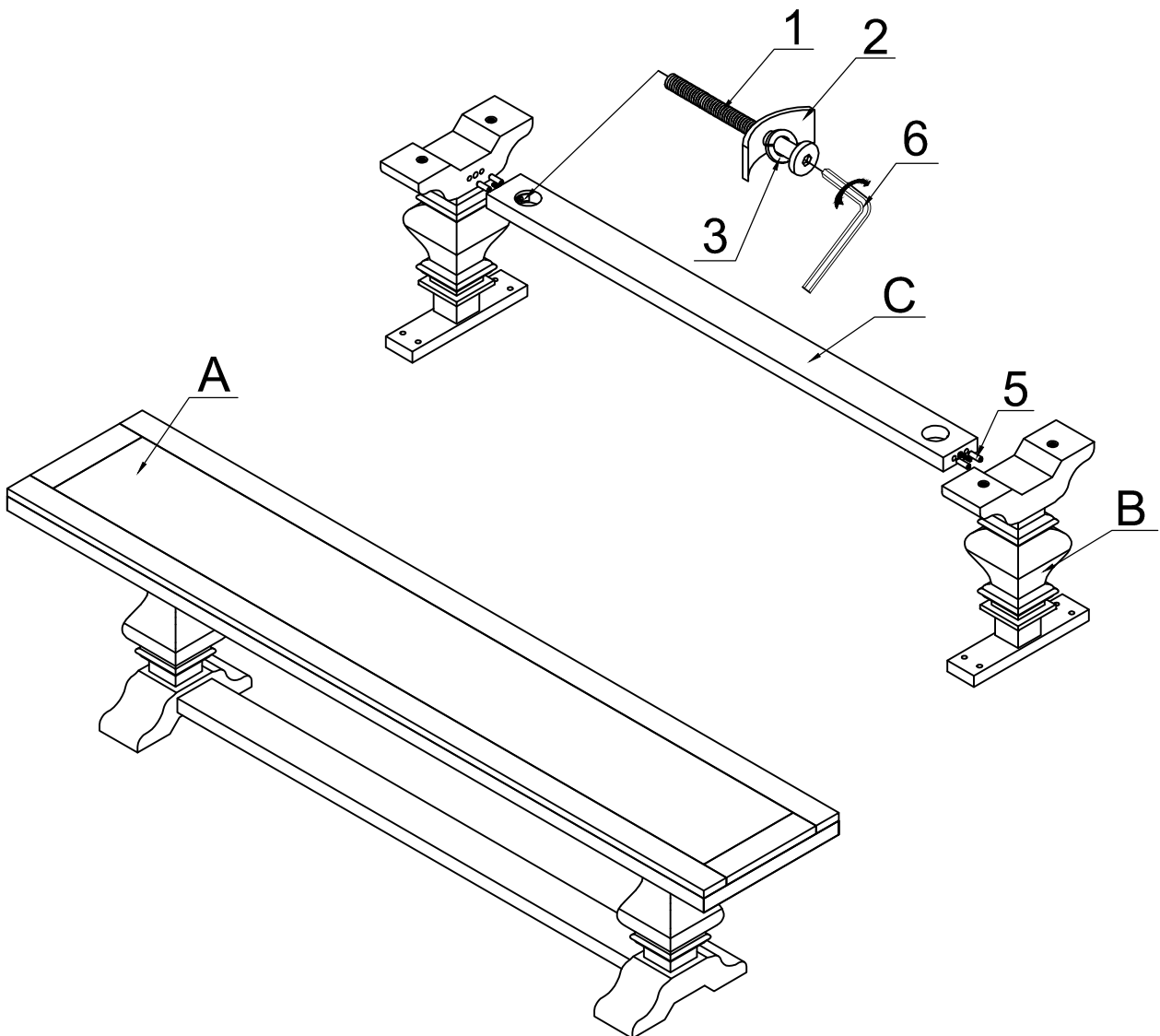
HARDWARE LIST

No:	Description	Picture	Q'TY
1	Bolt 5/16"*2"		10 Pcs
2	Curve washer 5/16"*3/8"*1-9/16"		2 Pcs
3	Spring washer Ø5/16"*1/2"		10 Pcs
4	Flat washer Ø5/16"*3/4"		8 Pcs
5	Wood Dowel Ø3/8*1-3/16"		4 Pcs
6	Allen Key		1 Pc

PART LIST

NO:	Description	Picture	Q'TY
A	Bench Top		1PC
B	Bench Legs		2PC
C	Bench stretcher		1PC

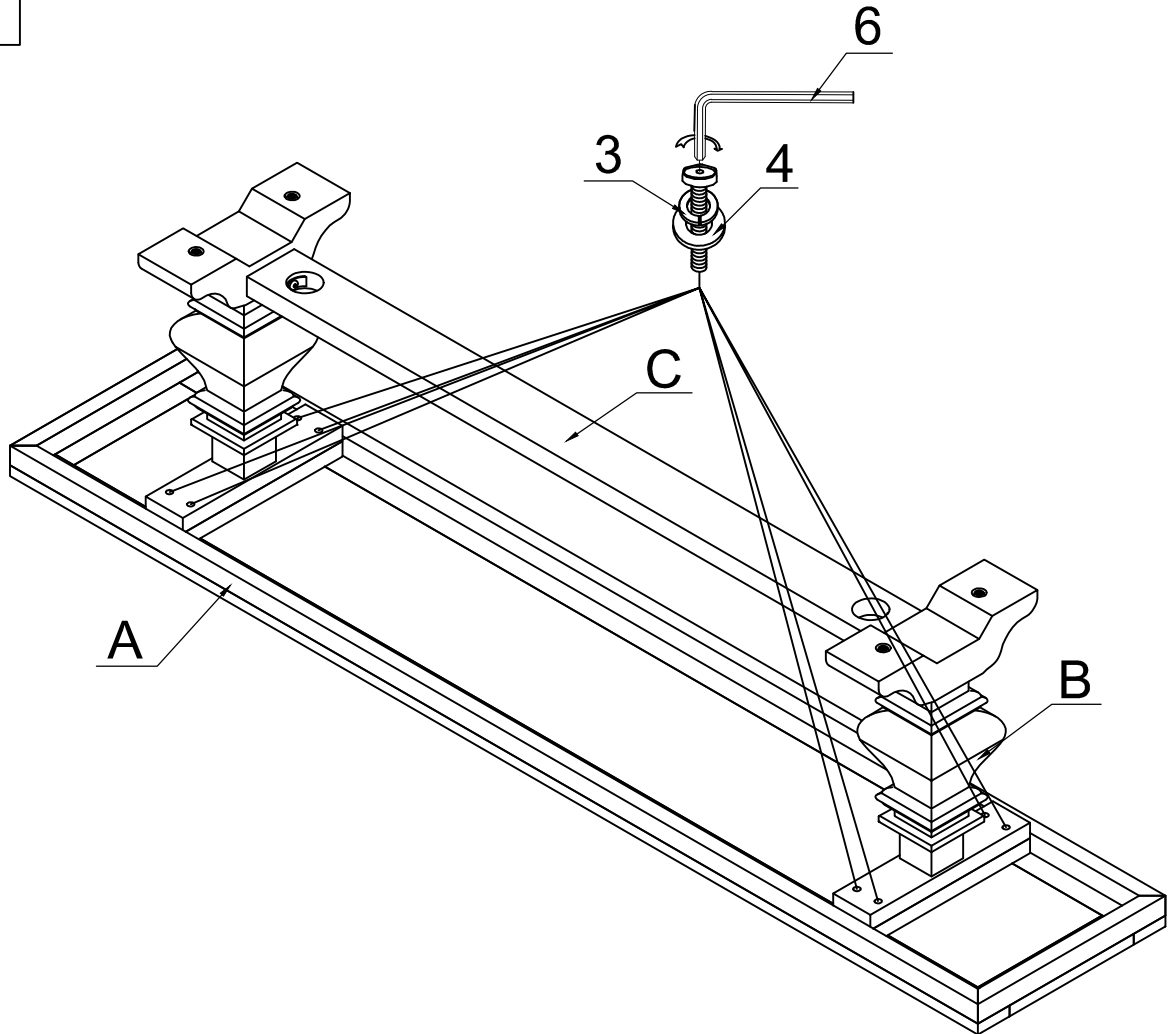
STEP 1



ASSEMBLY INSTRUCTION

ST.MICHEL BENCH

STEP 2



STEP 3

Adjustable levelers

